

SPECIFICATION SHEET






Product Code

710-201

Description

Right (& Left) Angled Rewirable IEC Lock+ Low Smoke Zero Halogen Appliance Outlet (Black)

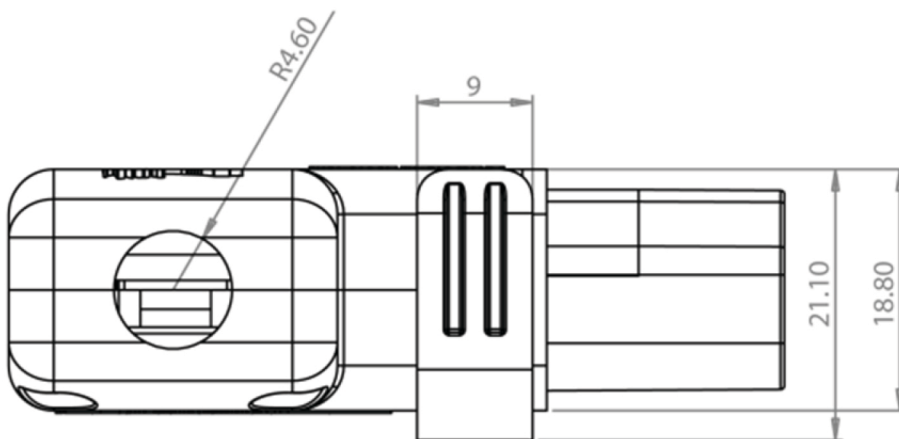
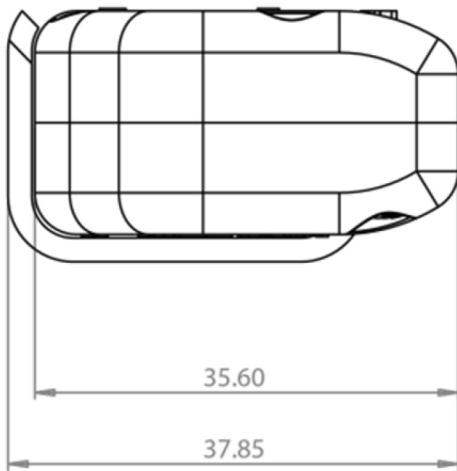
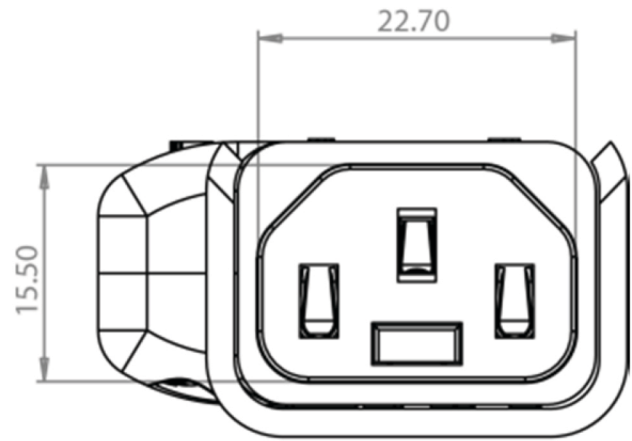
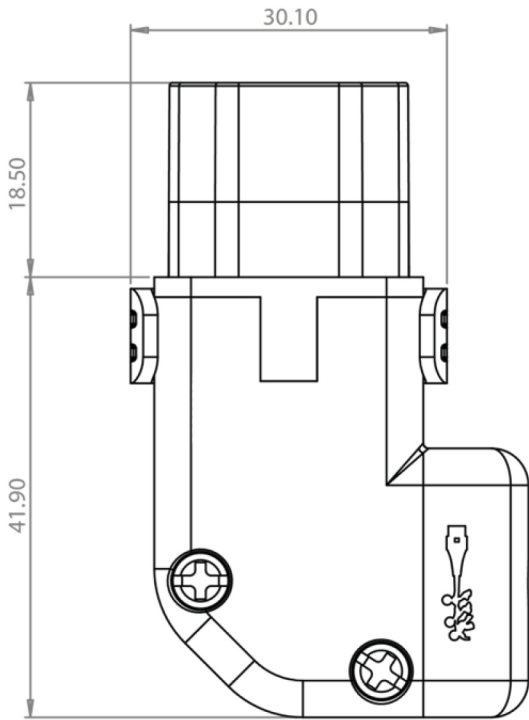


Technical Data	
Rating	10A Max / 250V~ (Europe & Australia) 15A Max / 250V~ (USA) 125V~ / 250V~ (Japan)
Materials	Outer Body: Nylon (PA66) LSZH (RAL 9004 Signal Black) Housing Lid: Nylon (PA66) LSZH (RAL 9004 Signal Black) Chassis & Chassis Lid: Nylon (PA66) LSZH (RAL 9004 Signal Black) Cable Restraint: Nylon (PA66) Housing Screws & Cable Restraint Screws: Steel, Nickel Plated Lock Pivot Lever: Polycarbonate Terminal Block & Sliding Terminal: Brass Terminal Screws: Steel, Yellow Passivated Spring: Spring Steel Locking Blade: Spring Steel Zinc Plated Red Handle: Polycarbonate LSZH (RAL 3020 Traffic Light Red)
Terminal Capacity	3 Core 1.5mm ² Maximum, 2.5mm \varnothing Terminal Diameter
Torque Value	Terminal Screws; 0.4Nm, Strain Relief Clamping Screws; 0.3Nm
Dielectric Strength	1.5 kV Max
Withdrawal Force	>100N
Ambient Operating Temperature	25°C
Flammability Rating	Equivalent to UL94V-0
Protection Class	Suitable for appliances with protection Class I according to IEC EN 61140
Features	Rewirable Housing can be 'flipped' to become a Left Angled Connector Fits any standard C14 outlet Anti-Vibrate Integral plug retention feature Easy pull handle Slotted and Cross head housing screws Appliance inlet suitable for cold conditions
Standards & Approvals	
Standards & Legislations	KEMA-KEUR Certified: 35-102059 - EN 60320-1: 2015 UL File: E475619 - UL 60320-1 / CSA C22.2 No. 60320-1-11 SAA Certified: SAA-151920-EA - AS/NZS 60320.1.2012 JET Certified: JET7270-43004-1001 - Article 1 of the Technical Requirements of the METI Ordinance
Approvals	    

Errors & Omissions excluded. Specification is subject to change without notice.

V1.0

SPECIFICATION SHEET



Errors & Omissions excluded. Specification is subject to change without notice.

V1.0